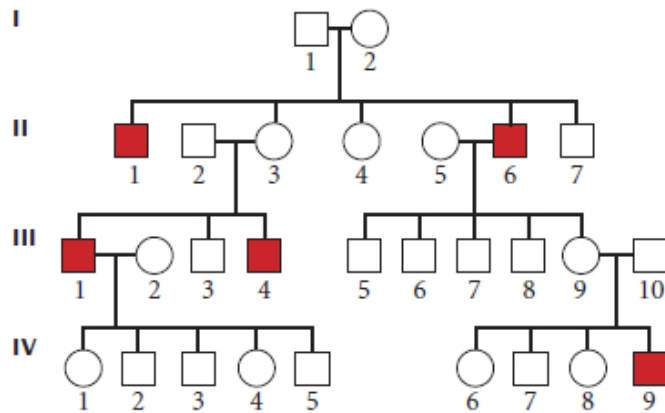
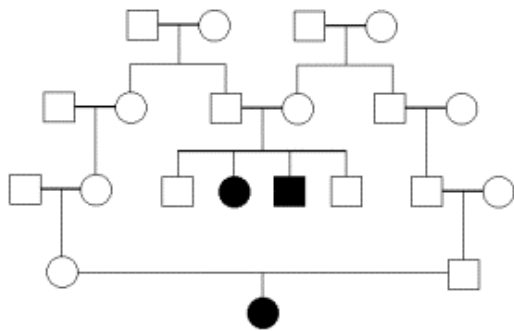


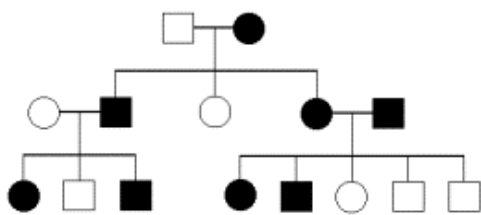
Q1-The following pedigree represents the inheritance of a rare disorder in an extended family. What is the most likely mode of inheritance for this disease? (Assume that the trait is fully penetrant.)



Q2-the pedigree (a) below represents the Tay sachs disease, what is the genotype for the 2 affected females? What is the mode of inheritance in pedigree (b)

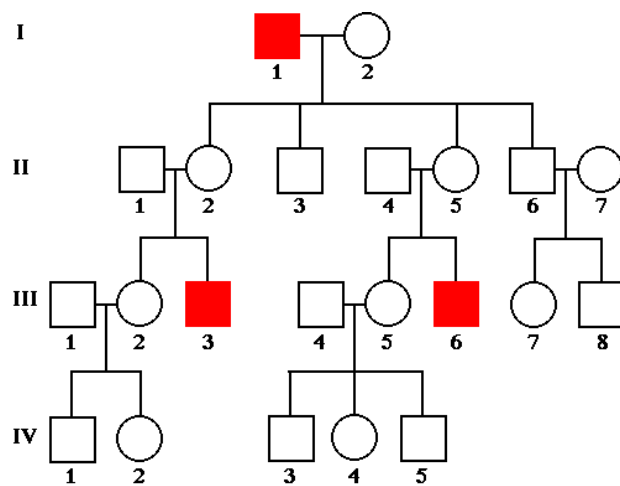


a.

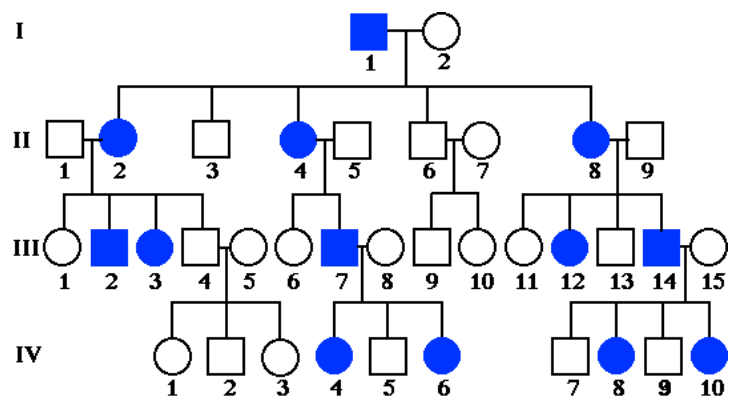


b.

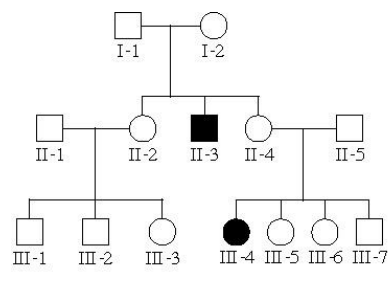
Q3-What is the mode of inheritance, what is the genotype for II-2



Q-4 What is the mode of inheritance, what is the genotype for III-7 individual?



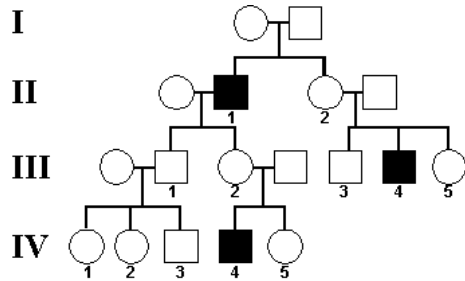
Q-5 What is the probability that individual II-5 is a carrier?



Q6 -What is the inheritance pattern?

What is the genotype of III-1, III-2, and II-3?

What is the probability that IV-5 would have an affected son?



Q7- What is the mode of inheritance? What is the probability of individual 5 to be a carrier?

